

S
STANDARD EQUIPMENT

- Alternator, 35 ampere 24 V
- Anti-slip plates
- Automatic deaeration system for fuel line
- Automatic engine warm-up system
- Batteries, large capacity
- Dry type air cleaner, double element
- Electric horn
- EMMS monitoring system
- Engine, Komatsu SAA6D125E-5
- Engine overheat prevention system
- Fan guard structure
- Hydraulic track adjusters (each side)
- In-line filter
- Multi-function color monitor
- Power maximizing system
- PPC hydraulic control system
- Radiator and oil cooler dust proof net
- Rearview mirror, LH
- Shoes, triple grouser: 500 mm 20"
- Starting motor, 11 kW 24 V x 1
- Travel alarm
- Wired remote controller

OPTIONAL EQUIPMENT

- Alternator, 50 ampere 24 V
- Conveyor protective plate
- Travel control lever
- Water spray nozzles above the belt conveyor
- Water tank & spraying system

- **MAGNETIC SEPARATOR:**
Magnetic separator for primary conveyor, 750 mm 30" wide



- **MUCK CONVEYOR:**
Muck conveyor assembly can be folded by hydraulic cylinder, 3414 mm x 600 mm 11'2" x 2'



- **RADIO REMOTE CONTROLLER:**



- Function:
- Travel
Left/Right
Forward/Reverse
 - Feeder
On/Off
 - Work equipment
Start/Stop
 - Mode selection
Operation/Travel
 - Emergency shut-off
 - Horn

KOMATSU®

BR580JG-1

HORSEPOWER
Gross: 262.5 kW 352 HP @ 1900 rpm
Net: 257 kW 345 HP @ 1900 rpm

OPERATING WEIGHT
49000 - 51000 kg 108,000 - 112,440 lb

ecot3

BR
580
JG



www.Komatsu.com

Printed in Japan 200706 IP.AD.SIN (10)

KOMATSU®

Photo may include optional equipment.

MOBILE CRUSHER

CEN00275-00

Materials and specifications are subject to change without notice
KOMATSU is a trademark of Komatsu Ltd. Japan

WALK-AROUND

The newly designed Komatsu BR580JG-1 mobile crusher looks simple but is very powerful. The upgraded Komatsu designed crusher offers you amazing production capacity of **MAX 460 ton/h** (507 U.S. ton/h).

Newly designed vibrating grizzly feeder

The vibrating grizzly feeder moves the material elliptically, so the material can be effectively separated and evenly fed into the jaw.

HydraMind hydraulics and all-hydraulic drive system

Fully hydraulic drive system gets you working right away. The HydraMind system supplies the optimal amount of oil through load-sensing and pressure-compensated valves.

Large-capacity hopper

The 2625 mm 8'7" x 4400 mm 14'5" feedhopper is accessible from three sides for material loading.

High-performance jaw

The KCJ4430 large-capacity jaw crusher guarantees maximum crushing capacity in this class along with ease of maintenance. In addition, Komatsu's locking cylinder mechanism allows you to change the discharge clearance with a simple one-touch adjustment and also facilitates the removal of clogged foreign material from the discharge side.

High-speed, large-capacity conveyor belt

A 1050 mm 42" wide conveyor belt travels at 120 m 394' per minute. The discharge height is 3000 mm 9'10".



Photo may include optional equipment.

HORSEPOWER
Gross: 262.5 kW 352 HP @ 1900 rpm
Net: 257 kW 345 HP @ 1900 rpm

OPERATING WEIGHT
49000 - 51000 kg
108,000 - 112,440 lb

SAA6D125E-5 turbocharged after-cooled diesel engine

provides 257 kW / 345 HP for superior crushing power. EPA Tier 3 and EU Stage 3A emission regulations certified.

Emergency shut-off buttons are installed on both the left and right sides of the chassis, on the control panel, and on the radio remote control (option).

Sprinkler nozzles and a **connector** are standard at the jaw entry.

Hydraulic conveyor lifter in the up position ensures adequate ground clearance even on rough ground.

The mobile crusher uses a new interlock system that controls the travel and the operation (crushing), depending on the conveyor's position.

Outstanding mobility

Hydraulic steering and high-travel speed make the machine easy to relocate. The BR580JG-1 uses the same track undercarriage as Komatsu's hydraulic excavators.



Genuine Answer for Land and Environment Optimization

PRODUCTIVITY FEATURES

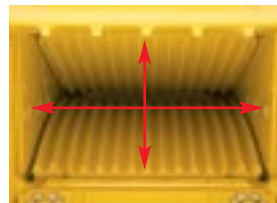
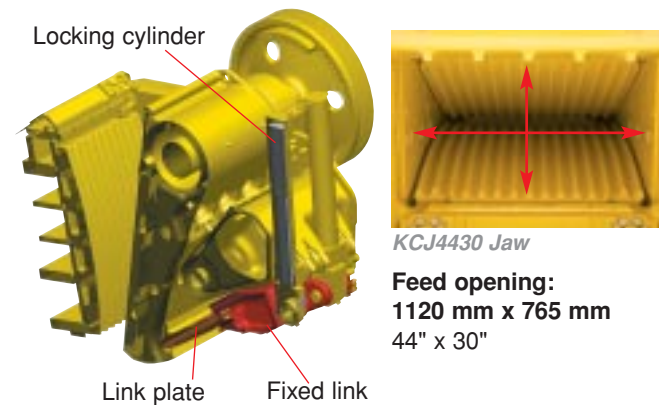


Equipped with an eco-friendly engine

Equipped with the SAA6D125E-5 engine, this new mobile crusher has a nominal output as high as 262.5 kW (352 HP). The latest KOMATSU engine technology for construction machinery, "ecot3", greatly reduces NOx emissions. This eco-friendly, clean engine, complies with various emission gas standards, including the EPA Tier 3 requirements in North America and the EU Stage 3A requirements in Europe.

New Komatsu Jaw Crusher

The large-capacity jaw crusher, KCJ4430, is another successful example of Komatsu's development efforts. Crushing efficiency is improved dramatically with the installation of a load-presetting semiautomatic feeder system.



Feed opening:
1120 mm x 765 mm
44" x 30"

High-speed, large-capacity conveyor belt

The high discharge height of 3000 mm (9'10") makes it easy to configure a system with stock pile conveyor and screens. With its width of 1050 mm (42") and a belt speed of 120 m (394') /min., the belt conveyor has a high volume capacity. In addition, the conveyor reverse mode is provided to facilitate the removal of jammed foreign material.



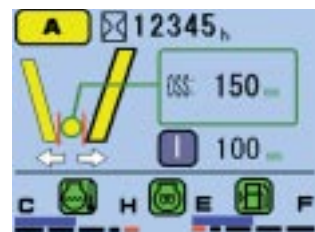
Komatsu's hydraulic crusher protection mechanism

Jaw crushers typically protect themselves by bending toggle plates when they are clogged or jammed with metal or wood debris. The KCJ4430 protects itself by allowing the locking cylinders to fully open the discharge port, which makes it easy to remove clogged foreign material from the crusher. (Patent pending)



Fully automatic discharge setting adjustment system

The jaw crusher is equipped with an automatic discharge setting adjustment system that makes it easy to change the opening of the discharge port. Even as both of the jaw plates or one wear, you can adjust the discharge setting with a simple one-touch operation (adjustable within several minutes) with this automatic system. On the monitor panel, you can choose one of the three adjustment modes. (Patent pending)



Mode A: Input a desired value for the discharge setting.
Mode B: Increase or decrease the current discharge setting.
Mode C: Press the manual switch to increase or decrease the present discharge setting.

Large production capacity

Komatsu's original large-capacity jaw crusher and the most advanced control systems have considerably increased its output capacity, making it easy to manage large workloads.

High mobility

The conveyor elevation system secures sufficient ground clearance, which provides the crusher with outstanding maneuverability at any crushing site. In addition, improved configuration and location of the guide handle makes it much easier to operate the conveyor lifter.

The mobile crusher uses a new interlock system that controls the travel and the operation (crushing), depending on the conveyor's position.

The system helps prevent the conveyor from being dragged or contacting the ground and provides clearance between the jaw discharge and the conveyor belt.



Minimum ground clearance
Travel:
200/350 mm (7.9"/14")
Operation (Crushing):
100/200 mm (3.9"/7.9")

* "Travel" is prohibited by interlock when the ground clearance is 100mm (3.9").

EASY OPERATION, MAINTENANCE

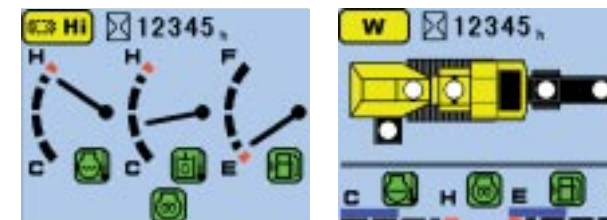
Ease of operation

All the switches necessary for operation are located on the main control panel, making it easier for the operator standing on the ground to reach and control the operation. As the control system is equipped with the one-touch start feature, all you have to do is to push the start switch. This simple operation will sequentially start the operation of the magnetic separator, belt conveyor, jaw crusher and feeder.



Main Control Panel

The multi-function monitor displays the status of all components in real time. With this monitor, you can easily identify the location of a problem.



Travel Mode

Operation Mode

Wired remote controller for travel

Wired remote controller allows travel control while standing on the ground.

The controller facilitates travel control by eliminating the need to get on the machine. Since the connector for the remote controller is provided both on the front and rear of the machine, you can select either one according to your needs. In addition, conventional on-board travel control lever system is optionally available.



Radio remote controller (Option)

With this controller, you can change the mode between "Travel" and "Operation", while remaining onboard. You can also use it to operate the one-touch start feature, in addition to the feeder On/Off function.



Maximum reliability and minimal maintenance

In addition to the spacious large clearance between the jaw crusher and the conveyor belt, the crusher's bottom area is sealed with covers. This design prevents re-bar from being caught by the crusher's member structure. Wide openings on the side frames also ensure easy access to the space below the crusher to remove clogged foreign material.



Opening In The Crusher Side (both sides of undercarriage)



Opening In The Engine Side (left side of undercarriage)



Between the crusher discharge and the belt conveyor

Maintenance



Fuel pre-filter (with water separator)



The engine oil drain valve was attached remotely, and connected the drain hose



Centralized greasing of the crusher



Anti-slip plates

Comfortable design

To prevent dust, sprinkler nozzles at the top of the jaw crusher are provided as standard equipment. The nozzles at the tip of the conveyor and the intermediate part (under the engine) are prepared as optional equipment. The water tank and spraying system are also prepared as optional equipment.



Sprinkler Nozzle

SPECIFICATIONS



ENGINE

ModelKomatsu SAA6D125E-5
 TypeWater-cooled, 4-cycle, direct injection
 AspirationTurbocharged, aftercooled, cooled EGR
 Number of cylinders6
 Bore125 mm 4.92"
 Stroke150 mm 5.91"
 Piston displacement11.04 ltr 674 in³
 Horsepower
 SAE J1995Gross **262.5 kW** 352 HP
 ISO 9249/SAE J1349Net **257 kW** 345 HP
 Rated rpm1900 rpm
 Fan drive typeMechanical
 GovernorAll-speed control, electronic

EPA Tier 3 and EU Stage 3A emission regulations certified.



HYDRAULICS

TypeHydraMind (Hydraulic Mechanical Intelligence New Design) system, closed-center system with load sensing valves and pressure compensated valves

Main pump:

TypeVariable displacement piston type
 Pump forCrusher, feeder, conveyor, 2 equipment options, and travel circuits

Maximum flow2 x 344 ltr/min 2 x 93.5 U.S. gal/min
 Maximum travel speed: High3 km/h 1.9 mph
 Mid2.1 km/h 1.3 mph
 Low0.7 km/h 0.4 mph



OPERATING WEIGHT (APPROXIMATE)

Operating weight49000 kg 108,000 lb
 Operating weight, including Muck conveyor and Magnetic separator51000 kg 112,440 lb
 Ground pressure129.4 kPa 1.32 kg/cm² 18.77 psi
 Ground pressure, including Muck conveyor and Magnetic separator135.3 kPa 1.38 kg/cm² 19.63 psi



UNDERCARRIAGE

Seal of trackSealed track
 Track adjusterHydraulic
 Number of shoes45 each side
 Number of track rollers7 each side



CRUSHER

JawKomatsu KCJ4430
 Inlet size1120 mm x 765 mm 44" x 30"
 Discharge setting (O.S.S.)55 mm to 200 mm 2.2" to 7.9"
 Maximum rotating speed300 rpm

Production Capacity

Maximum treatment capacity (with a muck content of 30%). Unit: ton/h U.S. ton/h

Material	Crusher Discharge Setting (open side)				
	55 mm 2.2"	70 mm 2.8"	100 mm 3.9"	150 mm 5.9"	200mm 7.9"
Natural stone	—	—	- 180 - 198	200 - 280 221 - 309	280 - 400 309 - 441
Concrete debris	- 140 - 154	110 - 160 121 - 176	150 - 220 165 - 243	230 - 330 254 - 364	320 - 460 353 - 507

Note: * The production capacity of the natural stones shown in the table is based on andesite having unconfined compression strength of about 1000 kg/cm² 14,225 psi, that of the concrete debris is based on concrete debris containing no steel bars and all the material is assumed to be dry and equal to or smaller than the optimum feed-in material size.

The Production capacity is the sum of the quantity of the material crushed by the crusher and the quantity of the material that passed through the grizzly bar. It depends on the type and properties of the material and the working condition.

When the crusher discharge setting is 55-100 mm 2.2"-3.9", only concrete debris can be crushed.



GRIZZLY FEEDER

FrequencyMaximum 1000 cpm
 Size1125 mm x 3850 mm 3'8" x 12'8"
 Drive typeDirect drive with hydraulic motor



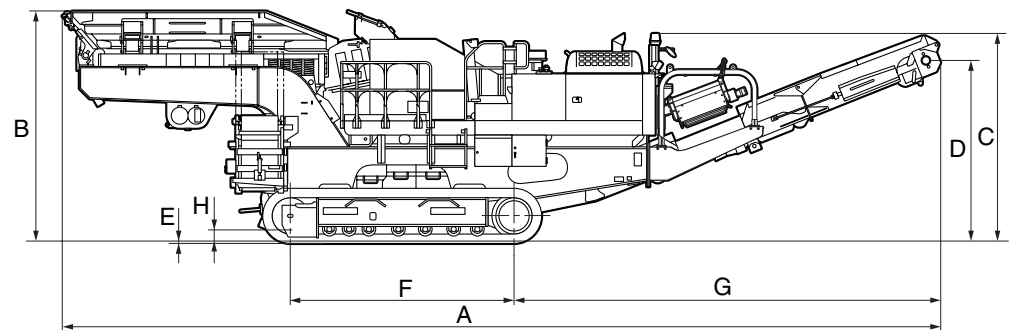
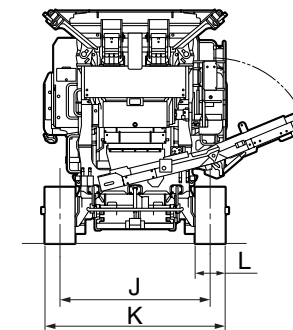
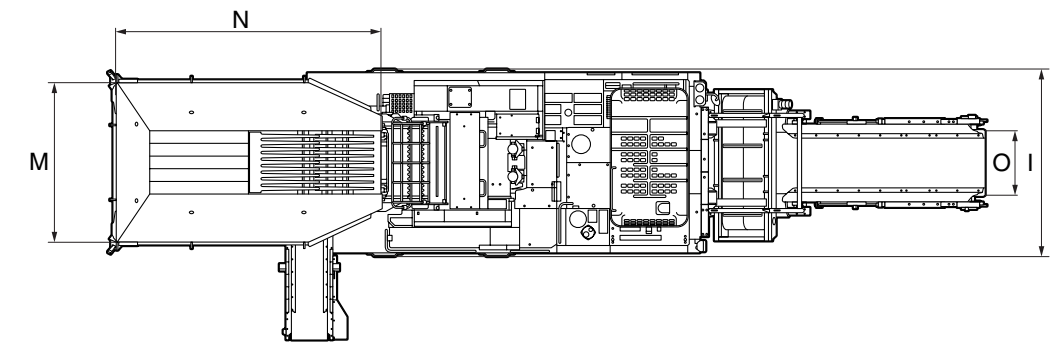
COOLANT AND LUBRICANT CAPACITY (REFILLING)

Fuel tank650 ltr 172 U.S. gal
 Coolant39.0 ltr 10.3 U.S. gal
 Engine38.0 ltr 10.0 U.S. gal
 Final drive, each side9.0 ltr 2.4 U.S. gal
 Hydraulic system248 ltr 65.5 U.S. gal

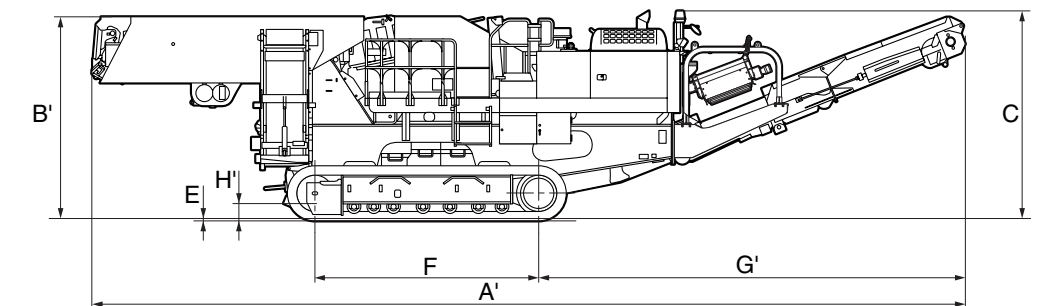
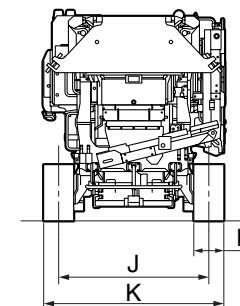
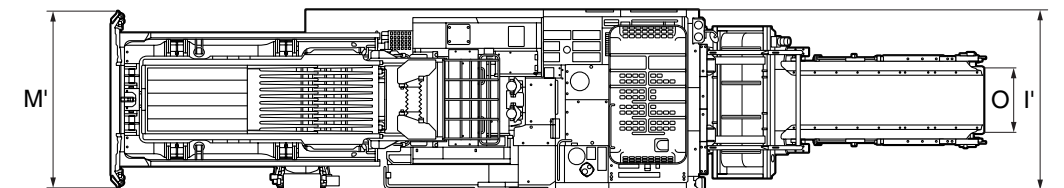


DIMENSIONS

At operation



At transportation



A	Overall length (at operation)	14540 mm	47'8"
A'	Overall length (at transportation)	14495 mm	47'7"
B	Overall height (at operation)	3820 mm	12'6"
B'	Feed height when folded	3365 mm	11'0"
C	Rotating lamp height (Overall height when folded)	3465 mm	11'4"
D	Discharge height	3000 mm	9'10"
E	Grouser height	30 mm	1.2"
F	Length of track on ground	3700 mm	12'2"
G	Discharge from final drive center (at operation)	7060 mm	23'2"
G'	Discharge from final drive center (at transportation)	7085 mm	23'3"

H	Ground clearance (at operation)	200 mm	7.9"
H'	Ground clearance (at transportation)	350 mm	14"
I	Overall width (at operation)	3090 mm	10'2"
I'	Overall width (at transportation)	2995 mm	9'10"
J	Track gauge	2480 mm	8'2"
K	Track width	2980 mm	9'9"
L	Shoe width	500 mm	20"
M	Hopper width	2625 mm	8'7"
M'	Hopper width when folded	2930 mm	9'7"
N	Hopper length	4400 mm	14'5"
O	Discharge conveyor belt width	1050 mm	3'5"